



ESSMUELLER

MODEL "FB" EN MASSE DRAG-FLITE CONVEYORS

Sizes to Accommodate
Capacities Thru 32,000 BPH

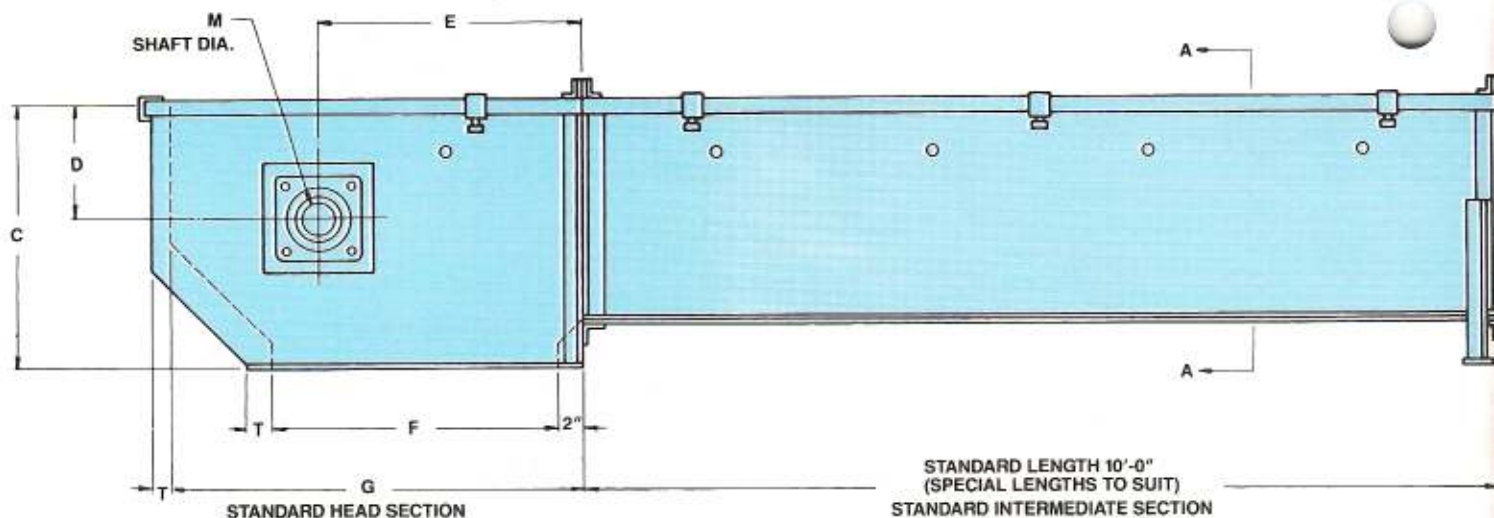


NOTE: Cover must be on during operation. Cover removed in photo to show construction details.

SPROCKET IDLER RETURN SYSTEM

An Essmueller first! Permits faster operating speeds, smoother delivery of product. Reduces friction to a minimum, prolongs parts life.

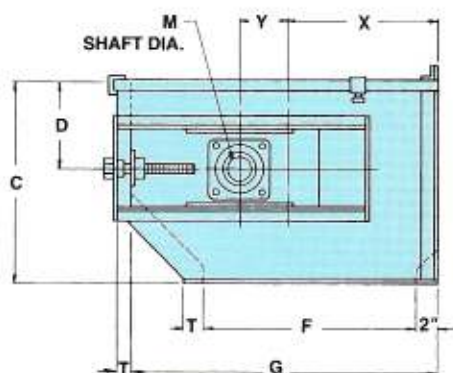
ESSMUELLER DRAG-FLITE STANDARD



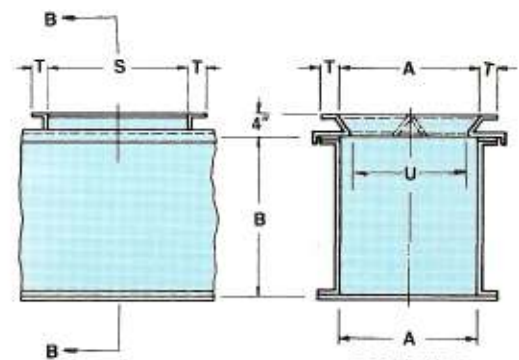
MODEL FB

SIZE	A	B	C	D	E	F	G	H	J	K
810	8	10½	14½	5⅝	18½	24	27	3⅝	10½	4½
1210	12	10½	14½	5⅝	18½	24	27	3⅝	10½	4½
1213	12	13	17	6⅞	20½	24	31	3⅝	12½	4½
1513	15	13	17	6⅞	20½	24	31	3⅝	12½	4½
1218	12	18	22	9⅞	22	24	34	3⅝	15	9
1518	15	18	22	9⅞	22	24	34	3⅝	15	9
1818	18	18	22	9⅞	22	24	34	3⅝	15	9
2118	21	18	22	9⅞	22	24	34	3⅝	15	9
2418	24	18	22	9⅞	22	24	34	3⅝	15	9
2124	21	24	28	12⅝	25	30	40	4⅝	24	9
2424	24	24	28	12⅝	25	30	40	4⅝	24	9
3024	30	24	28	12⅝	25	30	40	4⅝	24	9

DIMENSIONS OF POPULAR OPTIONS



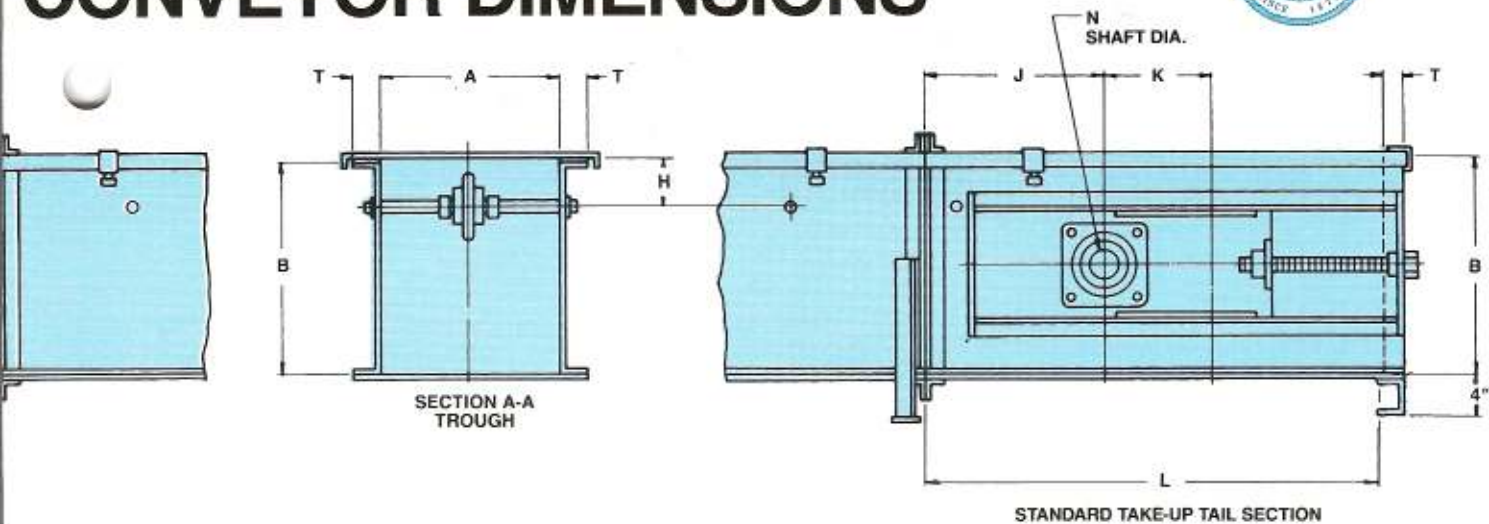
TAKE-UP HEAD SECTION
(USED FOR REVERSIBLE APPLICATIONS)



DIRECT INLET



CONVEYOR DIMENSIONS

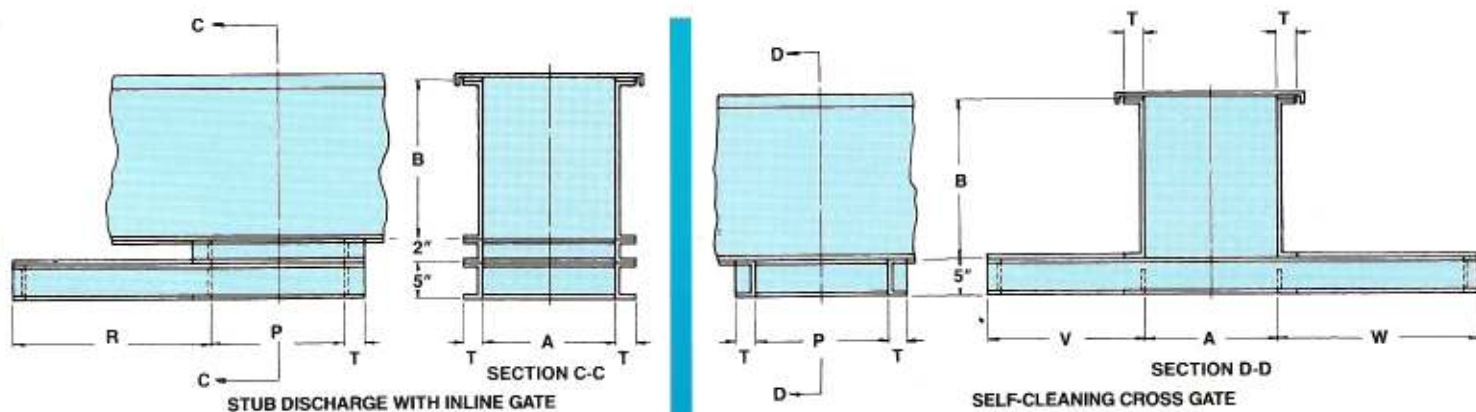


NOTE: DIMENSIONS SUBJECT TO CHANGE WITHOUT NOTICE

L	M	N	P	R	S	T	U	V	W	X	Y
24	1 ¹⁵ / ₁₆	1 ¹⁵ / ₁₆	25	36 ¹ / ₁₆	12	1 ⁵ / ₁₆	6	14 ⁵ / ₁₆	23 ⁵ / ₁₆	14	4 ¹ / ₂
24	1 ¹⁵ / ₁₆	1 ¹⁵ / ₁₆	25	36 ¹ / ₁₆	12	1 ⁵ / ₁₆	10	18 ⁵ / ₁₆	27 ⁵ / ₁₆	14	4 ¹ / ₂
28	2 ³ / ₁₆	2 ³ / ₁₆	30	41 ¹ / ₁₆	12	1 ⁵ / ₁₆	10	18 ⁵ / ₁₆	27 ⁵ / ₁₆	16	4 ¹ / ₂
28	2 ³ / ₁₆	2 ³ / ₁₆	30	41 ¹ / ₁₆	12	1 ⁵ / ₁₆	13	21 ⁵ / ₁₆	30 ⁵ / ₁₆	16	4 ¹ / ₂
38	2 ⁷ / ₁₆	2 ⁷ / ₁₆	36	47 ¹ / ₁₆	18	1 ⁵ / ₁₆	10	18 ⁵ / ₁₆	27 ⁵ / ₁₆	16 ¹ / ₂	5 ¹ / ₂
38	2 ⁷ / ₁₆	2 ⁷ / ₁₆	36	47 ¹ / ₁₆	18	1 ⁵ / ₁₆	13	21 ⁵ / ₁₆	30 ⁵ / ₁₆	16 ¹ / ₂	5 ¹ / ₂
38	2 ⁷ / ₁₆	2 ⁷ / ₁₆	36	47 ¹ / ₁₆	18	1 ⁵ / ₁₆	16	24 ⁵ / ₁₆	33 ⁵ / ₁₆	16 ¹ / ₂	5 ¹ / ₂
38	2 ⁷ / ₁₆	2 ⁷ / ₁₆	36	47 ¹ / ₁₆	18	1 ⁵ / ₁₆	19	27 ⁵ / ₁₆	36 ⁵ / ₁₆	16 ¹ / ₂	5 ¹ / ₂
38	2 ⁷ / ₁₆	2 ⁷ / ₁₆	36	47 ¹ / ₁₆	18	1 ⁵ / ₁₆	22	30 ⁵ / ₁₆	39 ⁵ / ₁₆	16 ¹ / ₂	5 ¹ / ₂
46 ³ / ₈	2 ¹⁵ / ₁₆	2 ⁷ / ₁₆	36	47 ¹ / ₁₆	24	1 ⁵ / ₁₆	19	27 ⁵ / ₁₆	36 ⁵ / ₁₆	19 ¹ / ₂	5 ¹ / ₂
46 ³ / ₈	2 ¹⁵ / ₁₆	2 ⁷ / ₁₆	36	47 ¹ / ₁₆	24	1 ⁵ / ₁₆	22	30 ⁵ / ₁₆	39 ⁵ / ₁₆	19 ¹ / ₂	5 ¹ / ₂
46 ³ / ₈	2 ¹⁵ / ₁₆	2 ⁷ / ₁₆	36	47 ¹ / ₁₆	24	1 ⁵ / ₁₆	28	36 ⁵ / ₁₆	45 ⁵ / ₁₆	19 ¹ / ₂	5 ¹ / ₂

FLAT SLIDE GATES

OPERATED BY HAND WHEEL, CHAIN WHEEL, AIR CYLINDER OR ELECTRIC MOTOR



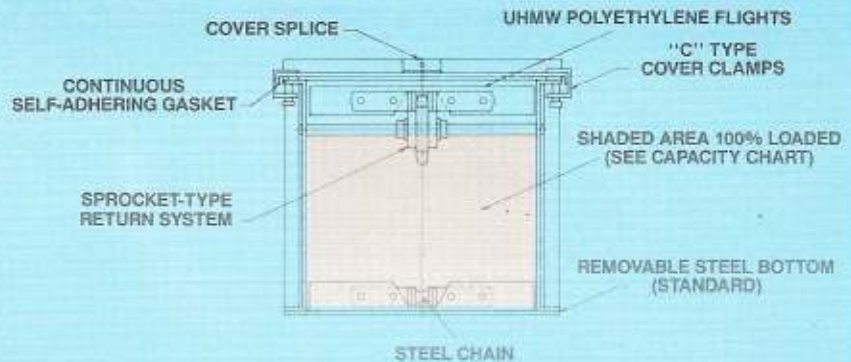
CAPACITIES

SIZE	100 F.P.M.		125 F.P.M.		150 F.P.M.		175 F.P.M.	
	B.P.H.	C.F.H.	B.P.H.	C.F.H.	B.P.H.	C.F.H.	B.P.H.	C.F.H.
810	1600	2000	2000	2500	2400	3000	2800	3500
1210	2500	3125	3125	3906	3750	4687	4375	5468
1213	3400	4250	4250	5312	5100	6375	5950	7437
1513	4300	5375	5375	6718	6450	8062	7525	9406
1218	5400	6750	6750	8437	8100	10125	9450	11812
1518	6800	8500	8500	10625	10200	12750	11900	14875
1818	8200	10250	10250	12812	12300	15375	14350	17937
2118	9600	12000	12000	15000	14400	18000	16800	21000
2418	11000	13750	13750	17187	16500	20625	19250	24062
2124	12800	16000	16000	20000	19200	24000	22400	28000
2424	14600	18250	18250	22812	21900	27375	25500	31875
3024	18300	22875	22875	28593	27450	34312	32025	40031

These capacities are based on 100% loading with free-flowing grain at 48 pounds per cubic foot and should be used for horizontal choke load applications. Selection of conveyors fed by controlled flow should be based on 90% of these capacities. Capacities and speeds will vary with other materials and for inclined units. Consult Essmueler for all such applications. **NOTE: Construction features and specifications subject to change without notice.**

STANDARD FEATURES

UHMW flights (ultra-high molecular weight), steel chain, 10-gauge bolted bottoms, 14-gauge flat cover, "T" splices for easy assembly, "C" type cover clamps, continuous self-adhering gasket between cover and trough.



POPULAR OPTIONS

- BY-PASS INLETS ■ END RELIEF DOORS ■ INSPECTION DOORS
- DIRECT INLETS ■ BEND SECTIONS ■ SLACK CHAIN DETECTORS
- REVERSING FEATURE ■ INTERMEDIATE DISCHARGE GATES
- FLARED BY-PASS INLETS ■ ABRASION-RESISTANT BOTTOMS AND BOLTED
- ABRASION-RESISTANT SIDE LINERS ■ SUPPORT LEGS ■ CONTOURED TAILS
- OUTBOARD BEARINGS FOR IDLER ASSEMBLIES



THE ESSMUELLER COMPANY

P.O. BOX 1966, LAUREL, MISSISSIPPI 39441-1966
 PHONE : TOLL-FREE 1-800-325-7175, IN MISSISSIPPI: 1-601-649-0039
 FAX: 601-649-4320
www.essmueler.com