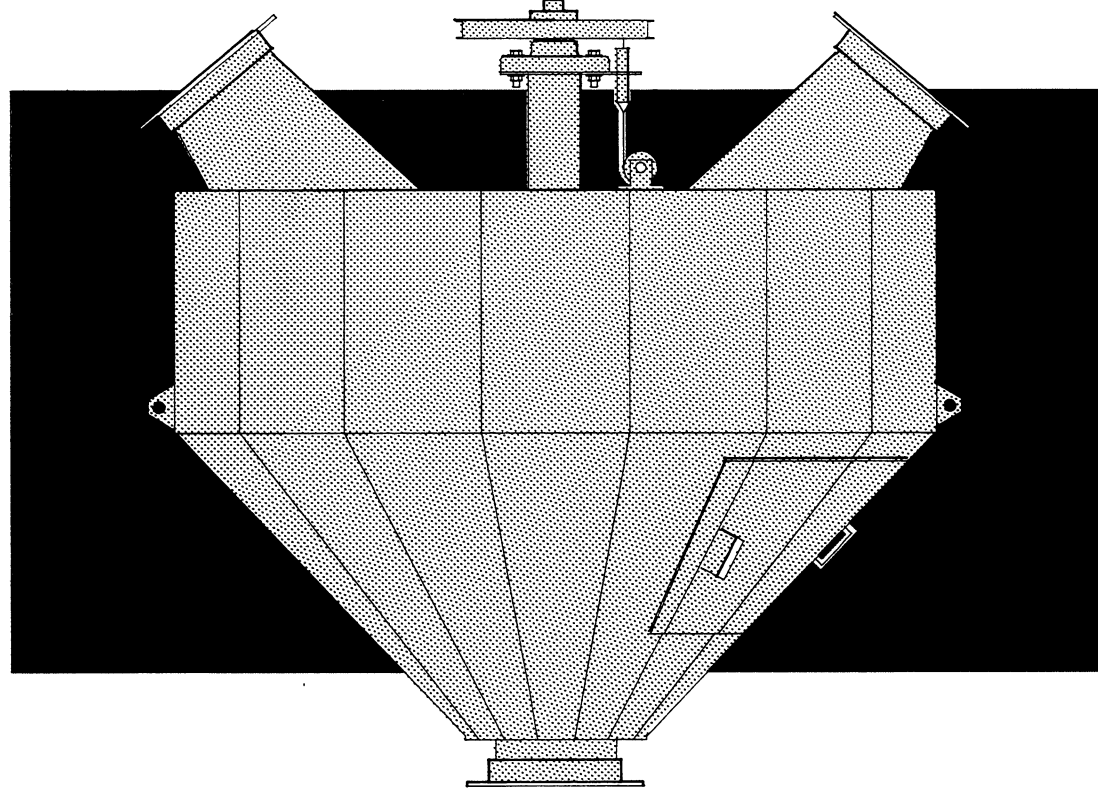
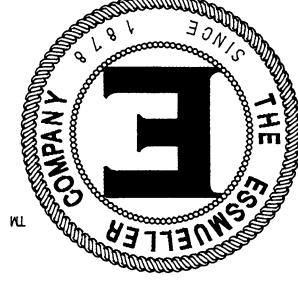


# MANUAL TURNHEAD DISTRIBUTOR INSTALLATION AND MAINTENANCE



Single-spout 360°-Rotation and  
Flat-back 180°-Rotation Distributors  
with CABLE or PIPE CONTROL

The ESSMUELLER Company  
P. O. Box 1966, Laurel, Mississippi 39471-1966  
PHONE TOLL FREE: 800-325-7175  
FAX: 601-649-4320



BULLETIN THM394

## TURN-HEAD PARTS

ITEM	QTY	DESCRIPTION
A	1	Turnspout $\Delta$
A2	1	Rigid Cplg Fem Half
B	1	#1615 x $\phi$ 1 1/2" or $\phi$ 2" Elbow Thimble $\Delta$
B	1	Elbow Thimble $\Delta$
B	1	Turnspout Ext. $\Delta$
C	2-4	Spout Angle-Rings
D	1	Outlet Angle-Rings
E	1	Sponge Rubber Seal
F	1	U.H.M.W. Sliding Seal
G	4	"Band-It" strap
H	4	"Band-It" clamps
J	4	Dust Sock
L	1	Dust Sock

## REPLACEMENT PARTS

A2	1	Cplg $\phi$ 1 1/2"
B2,B2a2	1	Brg $\phi$ 1 1/2"
B2	1	Brg $\phi$ 2"
B2a	1	Brg $\phi$ 1 1/2"
A2	1	Cplg $\phi$ 2"

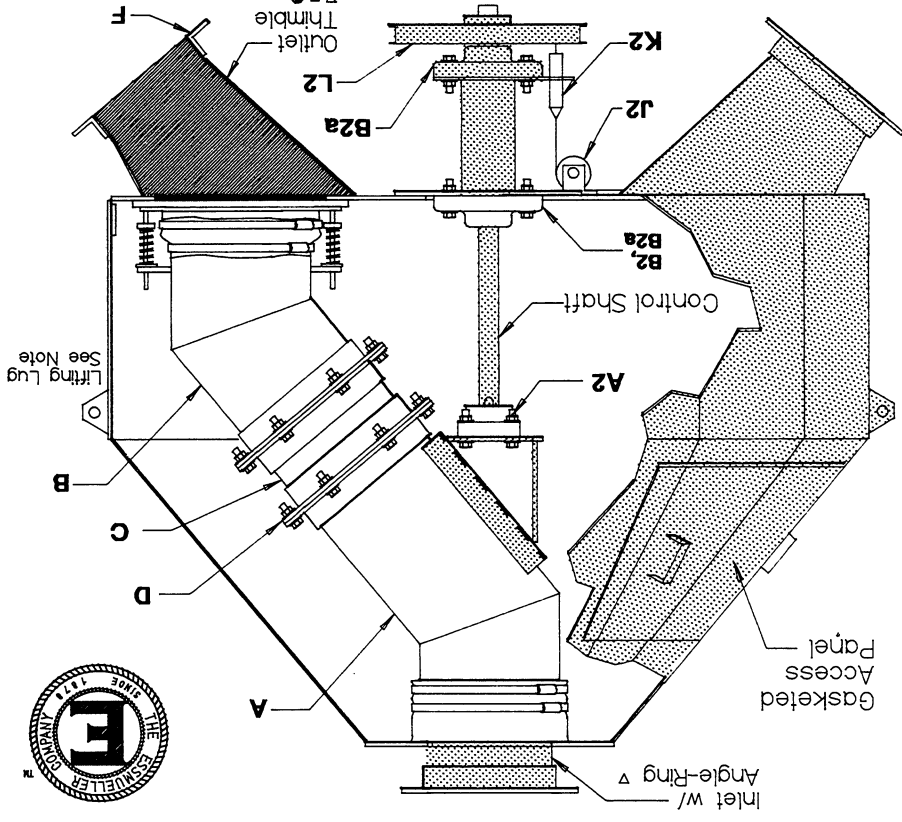
## MISCELLANEOUS ITEMS

K2	1	Locking assembly
J2	1	Cable guide pulley
KA	1	Cable control stand
KAa	3	Turnbuckle 1/4" X 4"
KAb	2	"NIC" press sleeves
KAc	1	Index wheel $\phi$ 22"
KB	prft	$\phi$ 3/2" galv cable
KC	1	Pipe control stand
L2	1	Index disc—cable
M2	1	Index disc—pipe

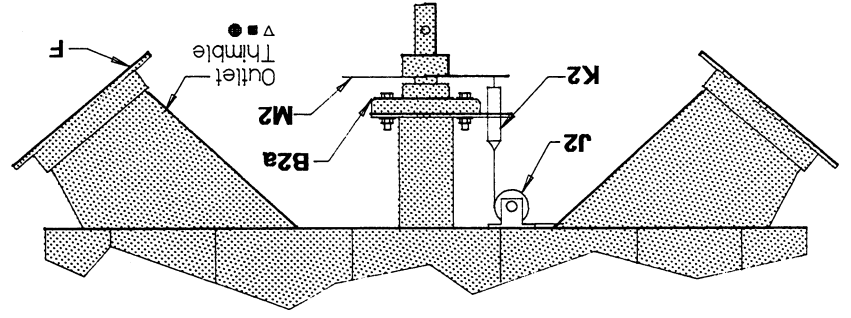
Other items from local suppliers

## ABBREVIATIONS

- opt. lining, rubber, U.H.M.W., A.R.S.
- $\Delta$  qty, if read or ordered
- $\triangle$  std. shown — options available
- per outlet
- 2-bolt flange bearing, DODGE "SC"
- A.R.S. = Abrasion Resistant Steel
- U.H.M.W. = Ultra-High Molecular Weight Polyurethane

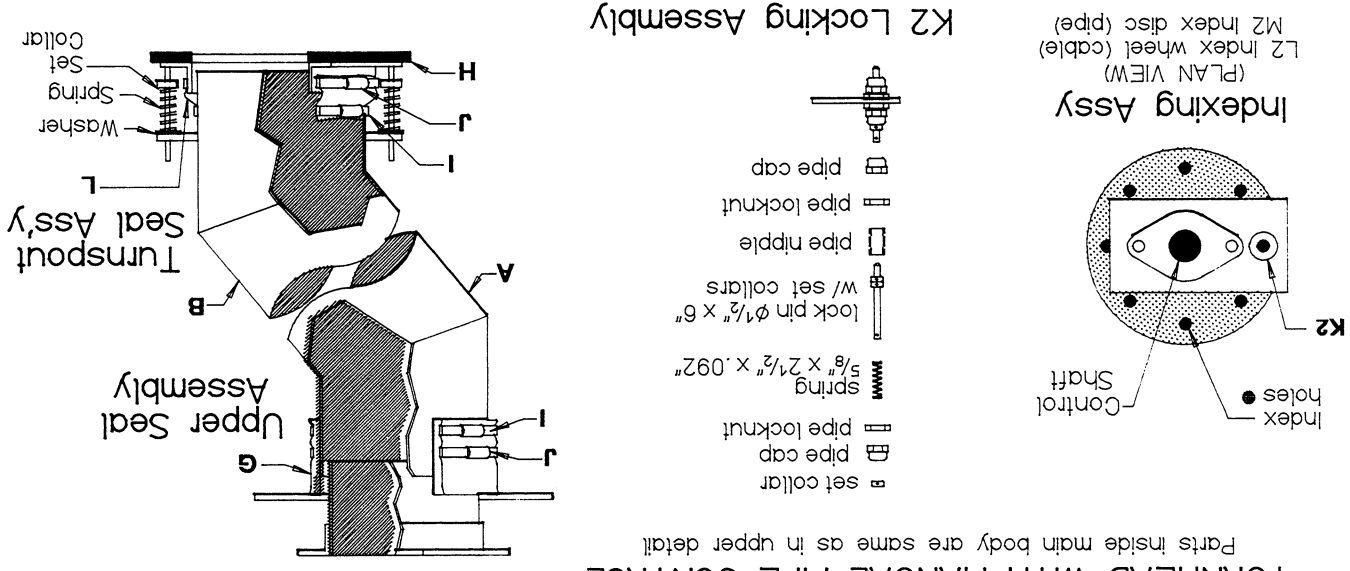


## TURNHEAD WITH MANUAL CABLE CONTROL



## TURNHEAD WITH MANUAL PIPE CONTROL

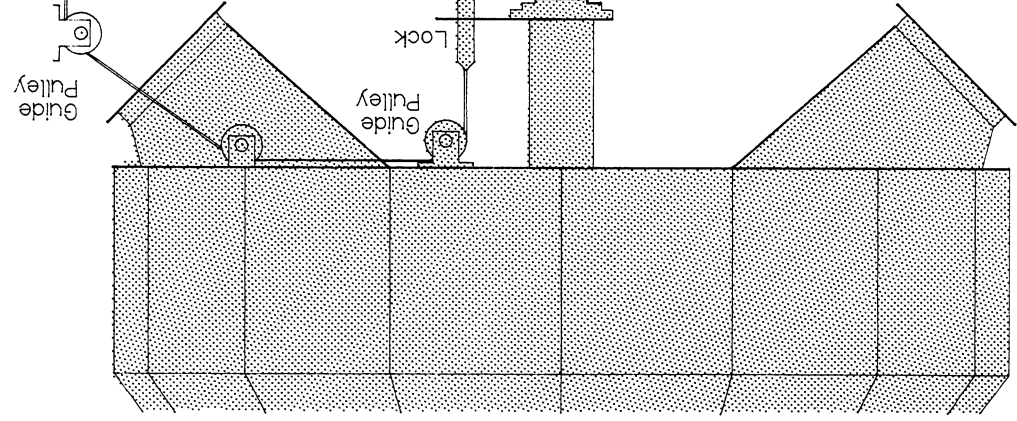
Parts inside main body are same as in upper detail



## Indexing Assy

(PLAN VIEW)  
L2 Index wheel (cable)  
M2 Index disc (pipe)

# PIPE CONTROL



ø1 1/2" or ø2" Shaft  
(TYPE I) (TYPE II)

Indexing Disc with  
adjustment set screw

Lock

Guide  
Pulley

Guide  
Pulley

## Operation of Distributor Rotation Feature Cable and Pipe Control

Make Sure Material Flow Has Been Stopped and  
Turnspout is Empty.

Release lock by pressing down on foot pedal.  
Rotate cable wheel or pipe lever to desired location.  
Release foot pedal to lock. After releasing lock, minor  
adjustment may be required to "center" the lock pin  
in index wheel or index plate holes.

Flow of Material Can Then Be Restarted.

## Ball Bearings

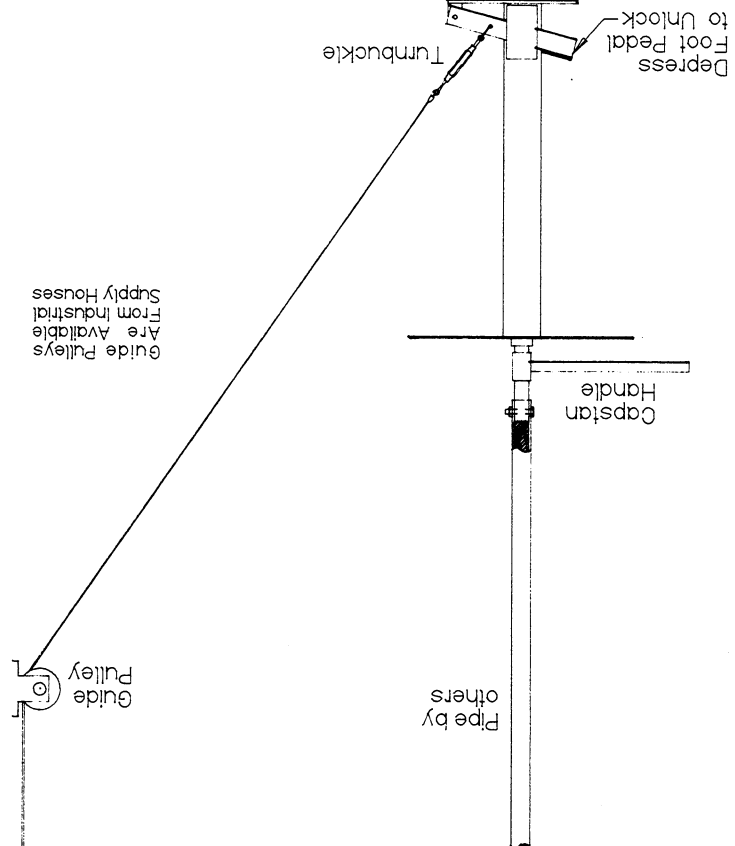
Turnhead distributors include two flange-type ball  
bearings. These require periodic relubrication—grease  
fittings are supplied. It is recommended that a high-  
grade lubricant be used. Care should be taken to  
remove dust and contaminants before lubrication is  
attempted as dirt may be forced into fittings when  
excessively dirty.

## Housing Lubricant

The distributor body floor is coated with "slip plate,"  
a highly concentrated, durable graphite coating. Fer-  
roically, at least annually, the "slip plate" coating  
should be inspected and renewed. This will help keep  
the rotating seal moving freely.

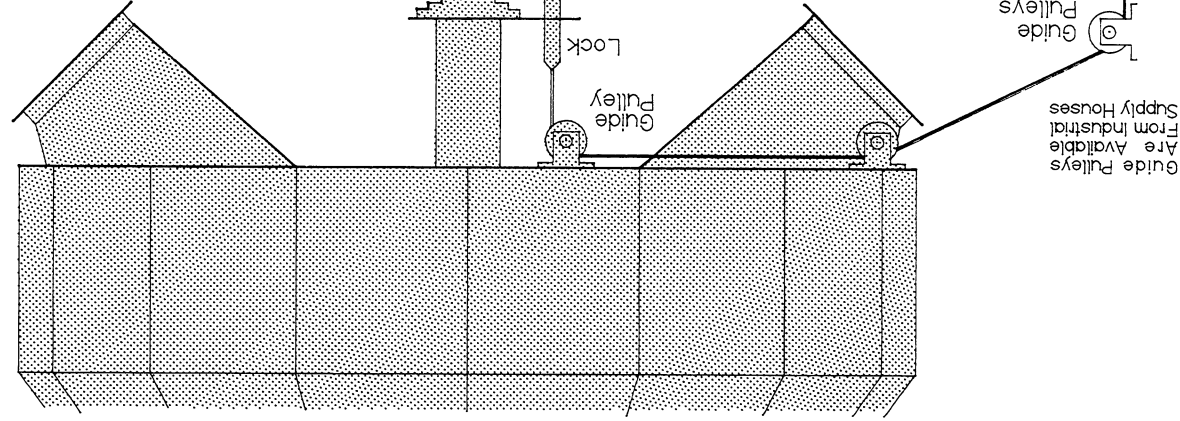
Note: Manual control stands are normally located within a few  
yards (or meters) of the turnhead distributor. After set-up, many  
users place a marker on the bottom of the index disk or wheel  
to help the operator determine the currently active spout.

## KC Pipe Control Stand



Guide Pulleys  
Are Available  
From Industrial  
Supply Houses

# CABLE CONTROL



2 cables  
parallel

Indexing wheel  
with adjustment  
set screw

Guide  
Pulley

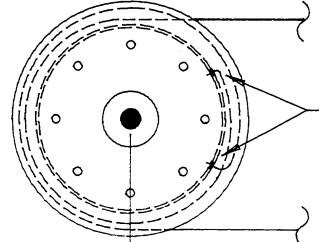
Lock

Guide  
Pulleys

Guide Pulleys  
Are Available  
From Industrial  
Supply Houses

cable spiral wound  
around wheel—  
ends clamped or tied  
through holes in rim

## plan



2 cables  
parallel

Periodically tighten  
cables—excessive  
slack can make it  
difficult to align the  
spout

Hand wheel  
cable wound  
in spiral around  
control wheel

Depress  
Foot Pedal  
to Unlock

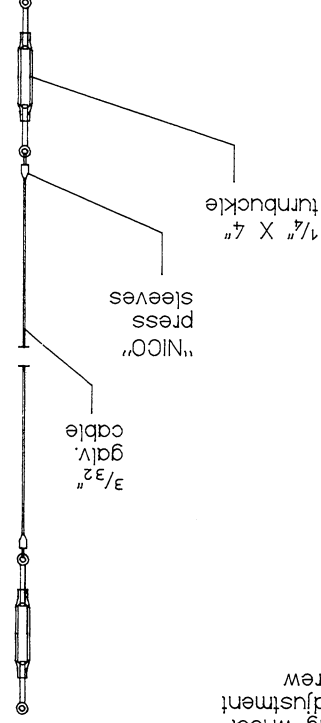
side  
front

Turnbuckle

Turnbuckle



## CABLE PARTS For Cable-Control and Lock Pipe-Control Lock



© 1993 The Es Mueller Company  
P. O. Box 1966, Laurel, Mississippi 39441-1966  
PHONE TOLL FREE: 800-325-7175  
FAX: 601-649-4320